

14 Fit the new screw 79 76 897 on the car's right-hand side.

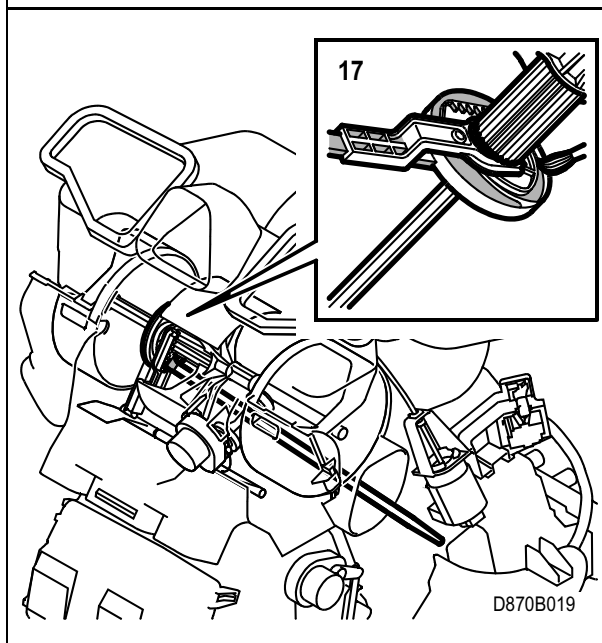
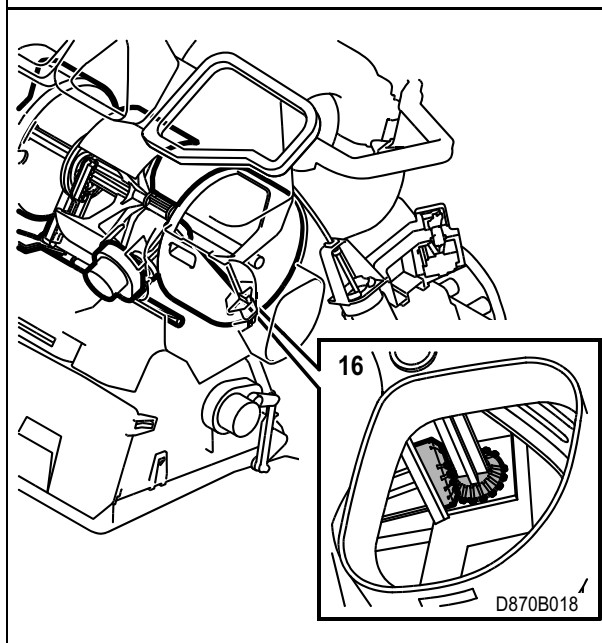
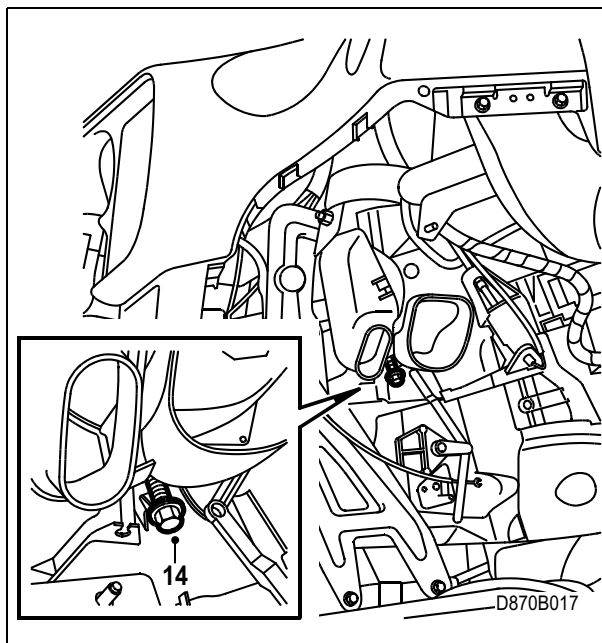
Important

The screw may be inserted and tightened to a maximum of 10 mm so as not to damage the threads created in the heating and ventilation unit.

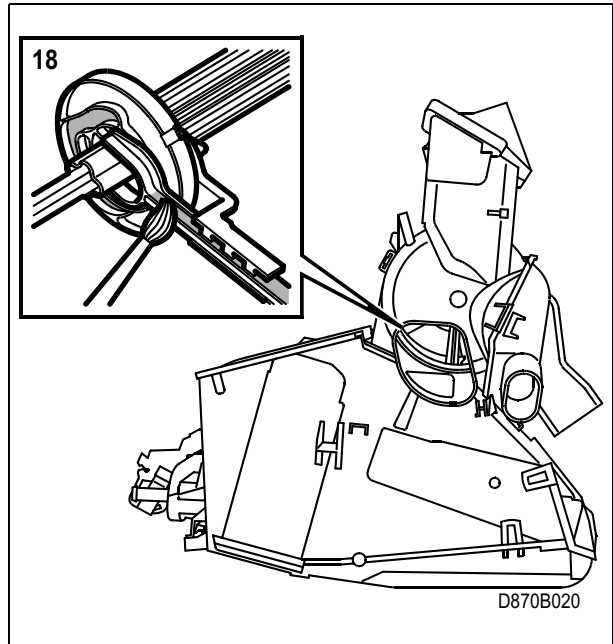
15 Use a brush approx. 300 mm long and 10 mm wide when applying lubricant. Apply silicone grease 87 81 718.

16 Grease the angle gear from the right-hand side as shown in the illustration.

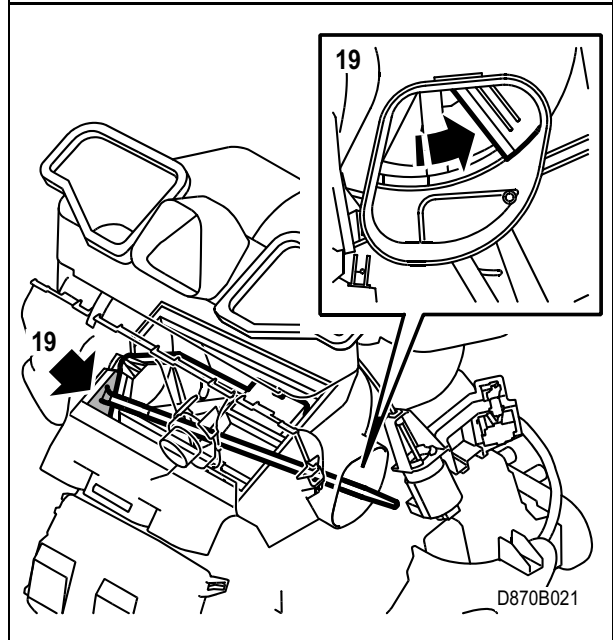
17 Grease all moveable surfaces from the right-hand side as shown in the illustration.



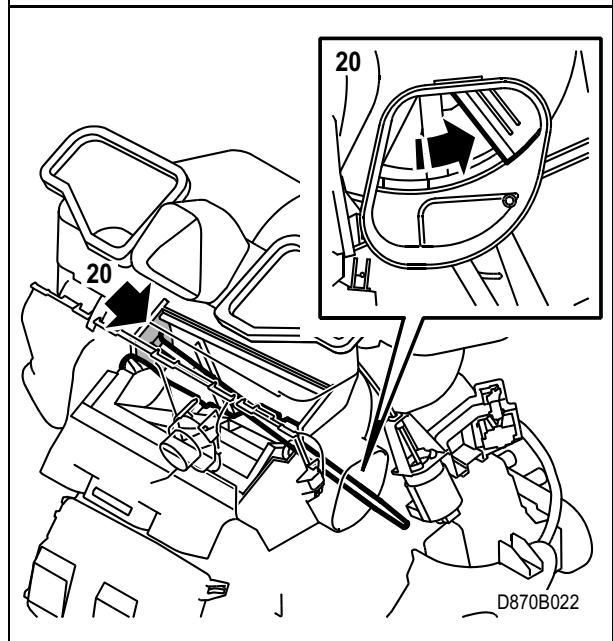
18 Grease all moveable surfaces from the left-hand side as shown in the illustration.



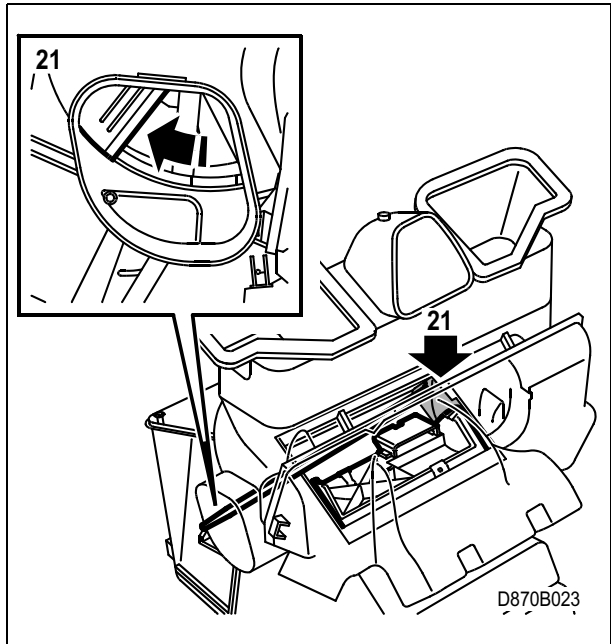
19 Turn the temperature control knob to the max. heat setting. Grease the contact surface for the heating damper seal from the car's right-hand side.



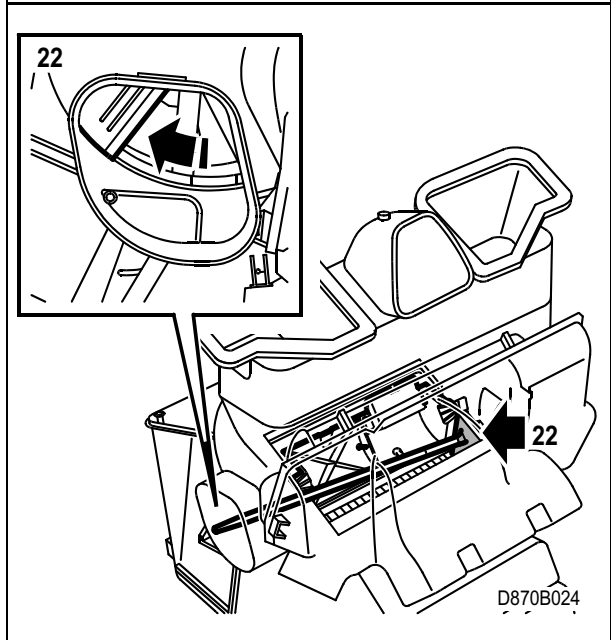
20 Turn the heating control knob to the max. cooling setting. Grease the contact surface for the heating damper seal.



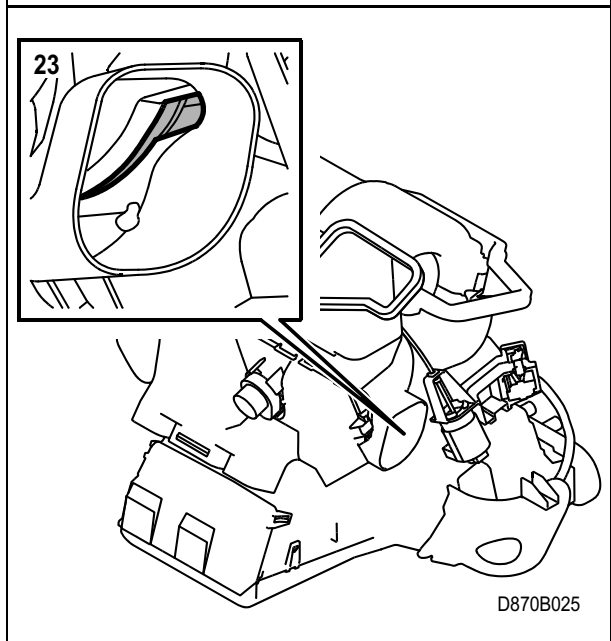
21 Grease the contact surface for the heating damper seal from the car's left-hand side.



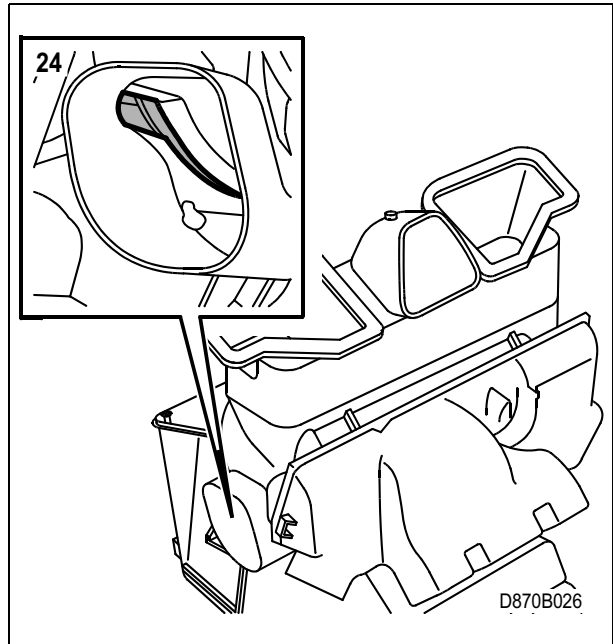
22 Turn the heating control knob to the max. heat setting. Grease the contact surface for the heating damper seal as shown in the illustration.



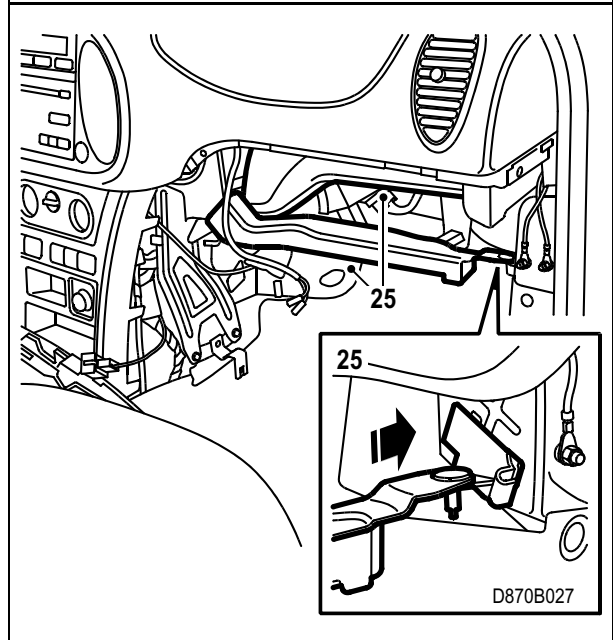
23 Turn the air distribution control knob anti-clockwise until the arrow points down. Grease the housing near the drum from the car's right-hand side as shown in the illustration.



24 Grease the housing near the drum from the car's left-hand side as shown in the illustration.



25 Fit the air ducts on the passenger side.
26 If necessary, fit the stay to the knee shield.



27 Fit the center console side panel.
28 Refit the glove box.

